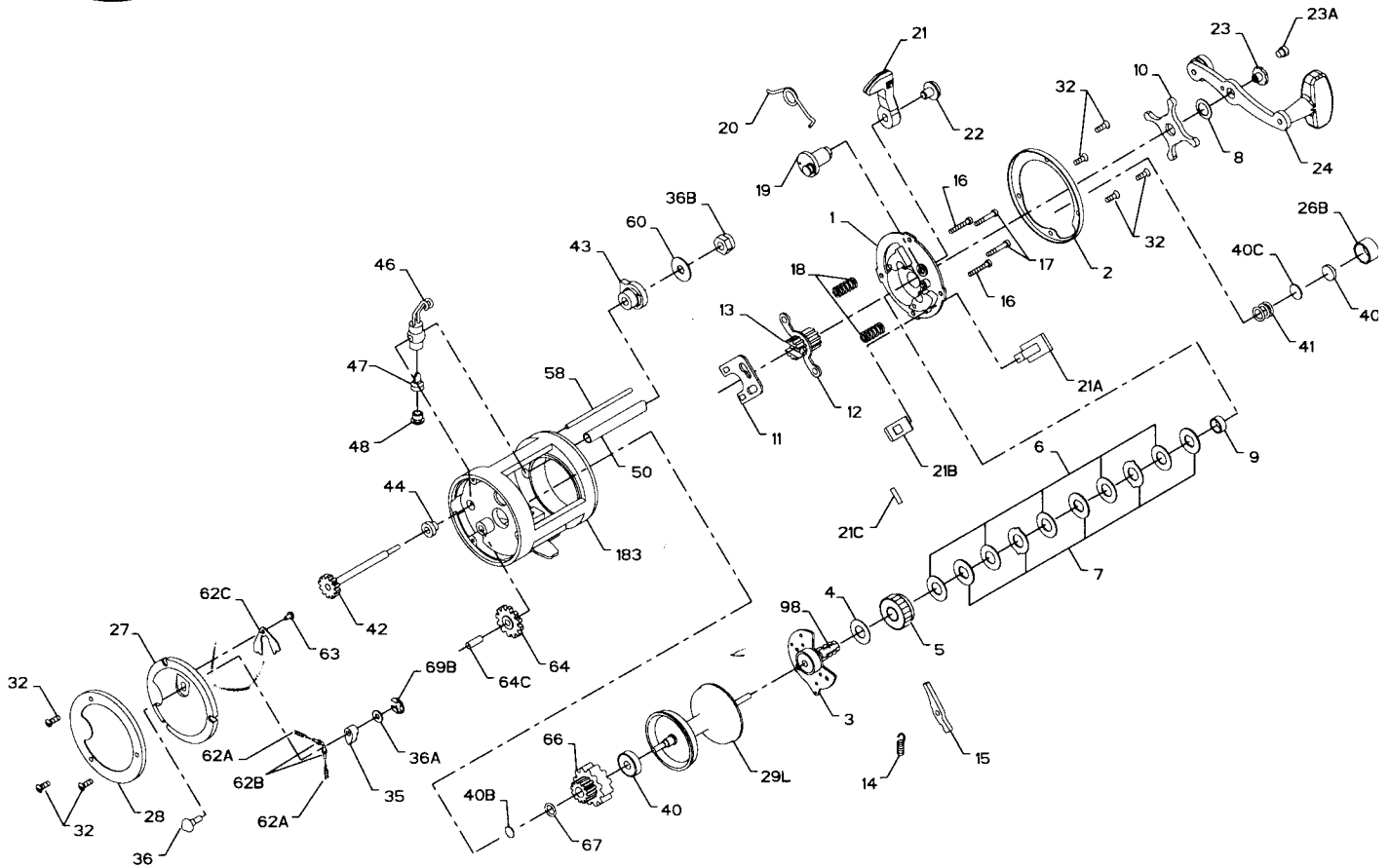




## PARTS AND PRICE LIST FOR 310GTi LEVEL WIND



Key No.	Part No.	Description	Price	Key No.	Part No.	Description	Price
1	1-310	Right Side Plate	\$7.95	29L	29L-310	Spool	\$12.50
2	2-310	Right Side Ring	5.35	32	32-310	Side Plate Screw (7 req.)	.40
3	3-310	Bridge Assembly	20.75	35	35-310N	Click Tongue	1.00
4	4-155	Fiber Washer	.40	36	36-310	Click Button	.90
5	5-310	Main Gear	5.70	36A	36A-40	Click Button Washer	.40
6	6-60	Friction Drag Washer (5 req.)	.70	36B	36-700	Worm Shaft Nut	.80
7	7C-310	Metal Drag Washer (Set of 5)	2.60	40	40-310	Left Side Bearing	10.30
8	8-60	Tension Spring	.50	40B	40C-310	L.S. Metal Thrust Washer	.40
9	9-310	Spacing Sleeve	1.60	40C	40C-320	R.S. Metal Thrust Washer	.40
10	10-310	Star Drag	2.45	40D	40D-320	Rubber Thrust Washer	.40
11	11-310	Eccentric Jack	1.15	41	41-330	Right Side Thrust Spring	.45
12	12-9	Pinion Yoke	.90	42	42-310	Worm Assembly	4.10
13	13-310	Pinion Gear	2.90	43	43-320	Right Side Worm Bearing	1.05
14	14-10	Dog Spring	.40	44	44-320	Left Side Worm Bearing	1.05
15	15-310	Dog	.90	46	46-310	Line Guide Carriage	4.15
16	16-310	Lower Bridge Screw (2 req.)	.40	47	47-320	Pawl	1.35
17	17-310	Upper Bridge Screw (2 req.)	.40	48	48-330N	Pawl Cover Screw	.95
18	18-9	Clutch Spring (2 req.)	.40	50	50-310	Worm Shield	1.65
19	19-310	Eccentric Cam	1.60	58	58-310	Line Guide Post	1.40
20	20-109	Eccentric Spring	.40	60	60-320	Idler Gear Washer	.40
21	21-310	Eccentric Lever	3.25	62A	62A-310	Click Spring (2 req.)	.45
21A	21A-310	Direct Drive Button	1.10	62B	62B-310	Click Pin (2 req.)	.65
21B	21B-310	Direct Drive Button Spring	.45	62C	62C-310	Click Spring Cover	2.25
21C	21C-310	Direct Drive Button Pin	.90	63	63-500S	Click Spring Screw	.80
22	22-310	Eccentric Screw	.50	64	64-310	Idler Gear	1.15
23	23-60	Handle Assembly Screw	1.70	64C	64C-310	Worm Gear Idler Shaft	.90
23A	110-60	Handle Lock Screw	.40	66	66-310	Spool Gear	1.50
24	24-310	Handle Assembly	6.00	67	67-9	Lock Spring	.40
26B	26B-310	Spool Tension Control Cap	1.75	69B	69B-600	Retaining Ring	.90
27	27-310	Left Side Plate	4.60	98	98-310	Gear Sleeve	5.00
28	28-310	Left Side Ring	5.60	183	183-310	Frame Assembly	23.45